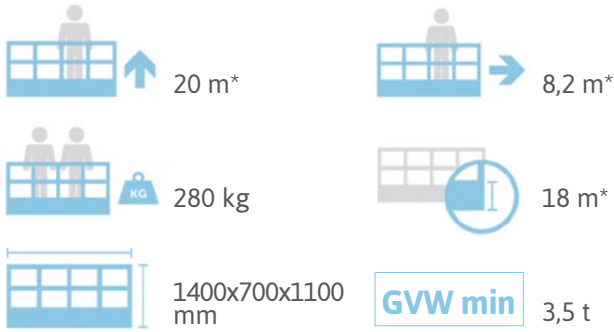
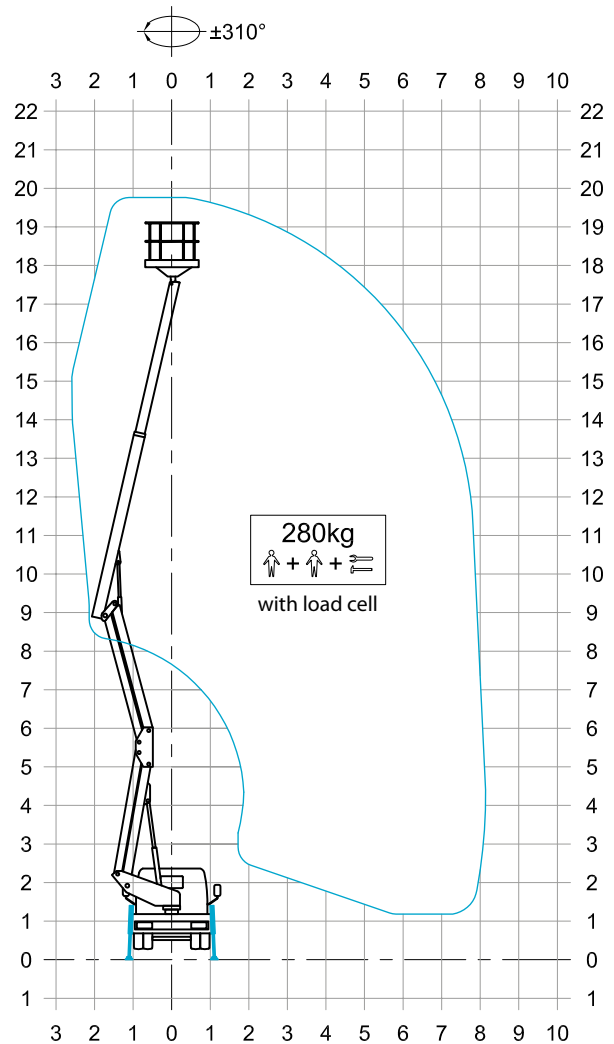


SPECIFICATION

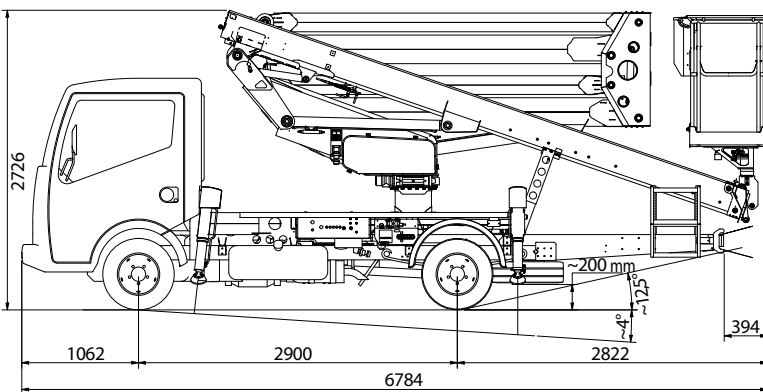
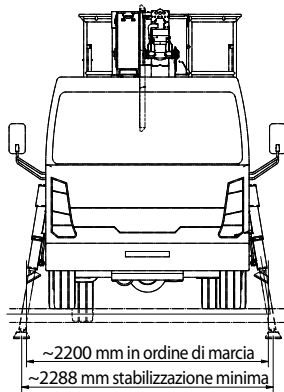
CTEZED 20.3 HN



WORKING ENVELOPE



DIMENSIONS



* outreach and height max values and repeatability can change within ± 3% due to manufacturing variation and working condition.

Product specifications are subject to change without notice or obligation. Technical features and drawings in this brochure are for illustrative purposes only. ZED 20.3 HN - ed. 11/19



CTE S.p.A.

Headquarter 7 Via Caproni - Rovereto (TN) IT, 38068

Ph. +39 0464 48.50.50 - Fax +39 0464 48.50.99

info@ctelift.com - www.ctelift.com

Factory 5 Loc. Terramatta - Rivoli Veronese (VR) IT, 37010

CTE UK Ltd Enderby Leicestershire - UK

