

MAEDA MK1033



Crane Capacity

0,995 t x 1,3 m

Max. lifting height (on the ground)

11,3 m

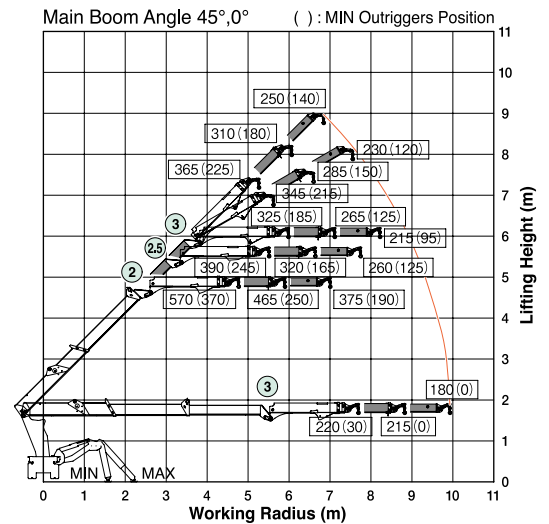
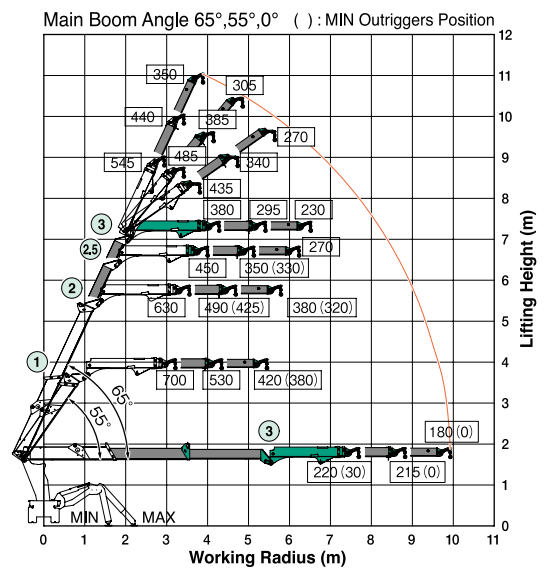
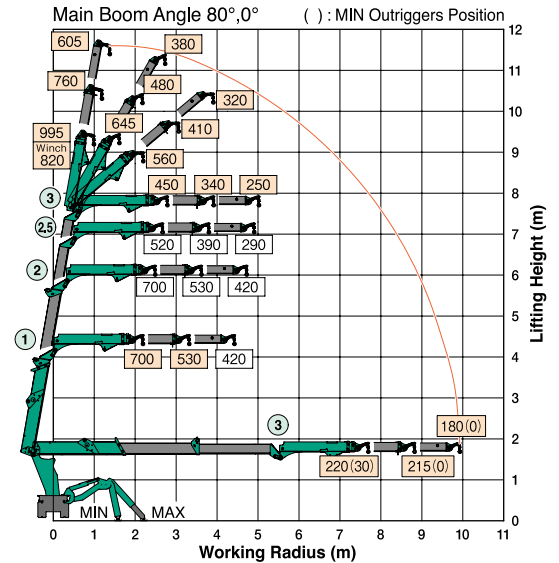
Max. working radius

9,9 m x 0,18 t

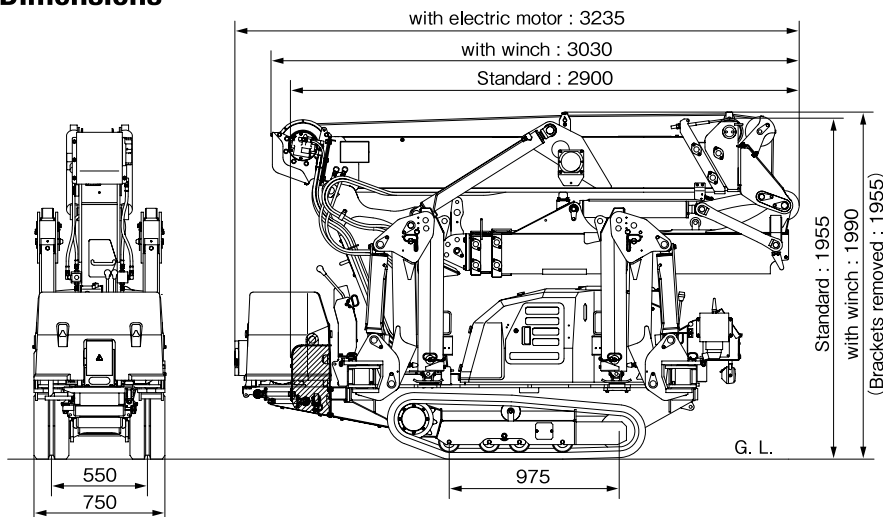
Max. lifting height (underground)

-66,5 m (single falls)

Working Range Charts



Dimensions



The values in are rated total load (kg), they are based on the actual working radius including boom & jib deflection.